

## MediaBox

### Description

The VDO MediaBox expands the possibility of the VDO AcquaLink® and OceanLink TFT System with a HI-FI experience. Listen to radio and weather forecasts with its built-in AM/FM Tuner or connect a memory stick or Smartphone to enjoy your favourite music. Control it without leaving the helm using the AcquaLink® NavControl and an installed AcquaLink® multifunction TFT or any compatible NMEA 2000 media head unit.

It is also possible to control The VDO MediaBox using its dedicated VDO MediaBox App for smartphone. This gives the user full control on VDO MediaBox, making the VDO MediaBox also a standalone unit.

The VDO MediaBox App is available for Android and Apple Smartphones and it can be downloaded, from the respective stores, for free.



**A2C59501980**

### Features

- AM / FM radio tuner with RDS
- Bluetooth audio player
- USB memory device MP3 player
- Three band equalizer with volume control
- Power amplifier 4X28W (D class)
- Supports media stream via Bluetooth
- VDO MediaBox App available for Android and iOS Smartphones.



Technical Data	
<b>Housing</b>	Material: PA6-GF30
<b>Dimensions</b>	WxH: 136mm x 130.1mm Depth: 41.4mm
<b>Start-Up Time</b>	Cold start: < 1 seconds Warm start: < 1 seconds
<b>Operating Voltage</b>	9 - 16 VDC
<b>Current Consumption</b>	0.4A typical ; 8A max
<b>Operating Temperature</b>	-15°C to +55°C
<b>Storage Temperature</b>	-30°C to +80°C
<b>Nominal Position</b>	NL 0 to NL 85; According to DIN 16257
<b>Protection Class</b>	IEC 60945 protected equipment (IPX5)
<b>Flammability</b>	UL-94
<b>EMC</b>	IEC 60945:2002 / ISO7637-2
<b>Reverse Polarity Protection</b>	No
<b>Short Circuit Protection</b>	Yes, 1 minute
<b>Approval</b>	CE, NMEA2000®, FCC
<b>Connector:</b>	Delphi Packard Micro-Pack MW 100 series, 32Pins , USB and MicroC Male M12 USB connector
<b>Data Input</b>	USB, NMEA2000 and Bluetooth
<b>Load factor</b>	5
<b>Antenna connector:</b>	Motorola Antenna Connector F(Female) Pigtail solution, length 18cm

## Connectors

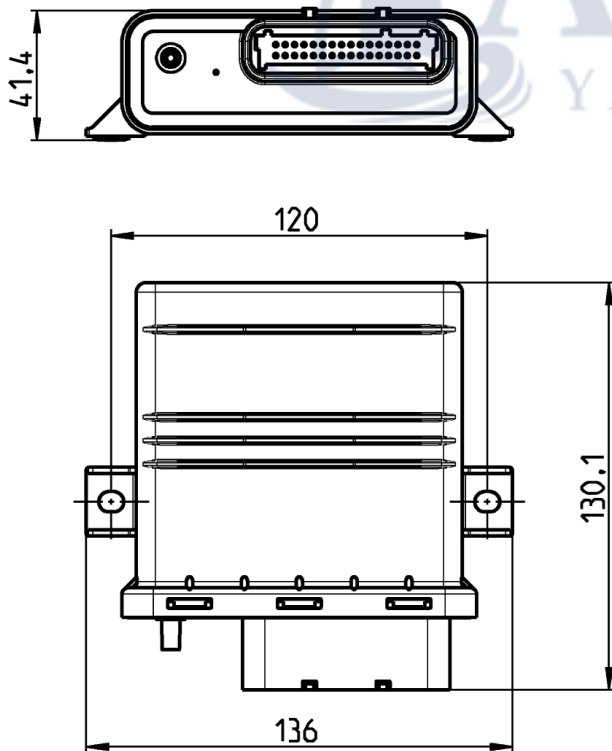
1x Delphi Packard Micro-Pack MW100 series, 32Pins

Pin	Signal	
1	GND	Black
2	GND	Black
3	GND	USB Shield
4	CAN1_L	Blue
5		
6	USB GND	Black
7	USB_D-	White
8		
9	NMEA_Power	Red
10	NMEA_GND	Black
11		
12		
13	LS_RL-	Green/Black
14	LS_FL-	White/Black
15	LS_FR-	Gray/Black
16	LS_RR-	Purple/Black
17	Battery	Red
18	Battery	Red
19	Battery	Red
20	CAN1_H	White
21		
22	USB_5V_POWER	Red
23	USB_D+	Green
24	IGNITION	Yellow
25		
26		
27		
28		
29	LS_RL+	Green
30	LS_FL+	White
31	LS_FR+	Gray
32	LS_RR+	Purple

NMEA messages supported:

- Entertainment - Supported Zone Data PGN: 130574
- Entertainment - Supported Source Data PGN: 130573
- Entertainment - Library Data Search PGN: 130572
- Entertainment - Library Data File PGN: 130570
- Entertainment - Library Data Group PGN: 130571
- Entertainment - Current File and Status PGN: 130569
- Entertainment - System Configuration Status PGN: 130580
  
- Entertainment - Zone Configuration Status PGN: 130581
- Entertainment - Zone Volume Status PGN: 130582
- Entertainment - Available Audio EQ Pre-sets PGN: 130583
- Entertainment - Bluetooth Devices PGN: 130584
- Entertainment - Bluetooth Source Status PGN: 130585

Mechanical dimension:



**Accessories**

Part Number	Item specifics
A2C96243700	NMEA2000 Cable 0.5m
A2C96243800	NMEA2000 Cable 2m
A2C96244000	NMEA2000 Cable 6m
A2C1313150001	MediaBox Power cable

